

ROMPOX[®]-2K MULTI SEAL

The extremely resistant floor and wall sealant

Product information



Colour: light grey
(approx. RAL 7035 light grey)

Colour: dark grey
(approx. RAL 7037 dust grey)

For industrial and private use. For use as floor and wall sealant in garages, cellars, stairs, warehouses and industrial/work halls indoors and outdoors.

- 2 component epoxy resin based
- for use indoors and outdoors
- suitable for surfaces that touch the ground
- fulfills fire class B1 (Bfl-s1 flame resistant)
- priming and sealing in one
- water soluble
- solvent free
- environmentally friendly
- open to steam diffusion / water steam permeable
- chemically resistant
- lightly structured surface
- can also be applied using airless spray method



Easy and low odour application using fur roller and paintbrush



Lightly structured surface



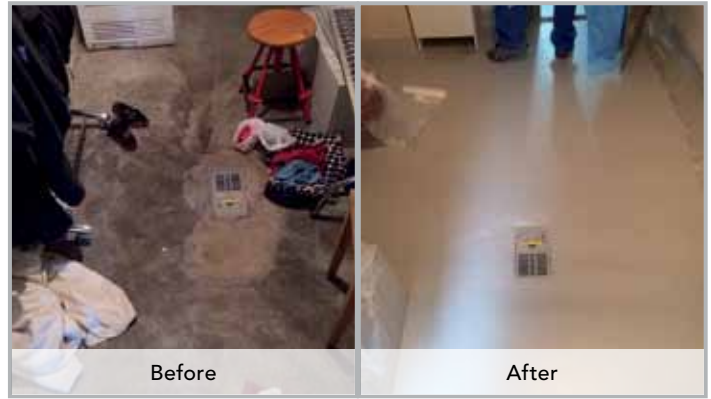
Can also be applied using airless spray method

 Application films at www.romex-pfm.de

The allrounder

ROMPOX®-2K MULTI SEAL is an extremely resistant, 2 component sealant that is epoxy resin based, which can be used during new construction as well as for repairs. It is suitable for the sealing of floors, walls and ceiling surfaces indoors and outdoors. ROMPOX®-2K MULTI SEAL

is used equally in the industrial and private sectors. ROMPOX®-2K MULTI SEAL is the ideal solution whether it is used as a floor and wall sealant in garages, cellars, passages, warehouses or industrial/work halls indoors and outdoors.

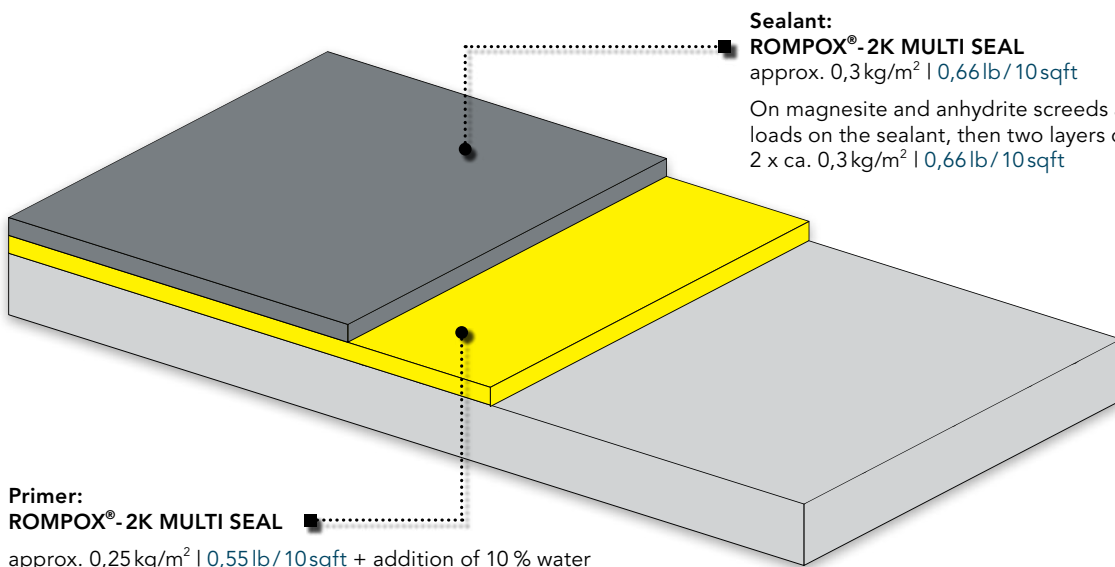


ROMPOX®-2K MULTI SEAL is particularly suitable for the sealing of cementbound surfaces - including those with rising damp. Thanks to its good water steam permeability, the sealant is also suitable for magnesite and anhydrite screeds with light mechanical loads as well as for the treatment of hard poured asphalt indoors.

ROMPOX®-2K MULTI SEAL can be used for airless spray methods when 10 % water is added on large surfaces for quick application.

Always clean the equipment when work is interrupted. Cleaning is done by spraying clean water through the equipment so that all the material is out of the system. Cleaning at the end of the day is carried out using water and 10 % solvent (ideally ethanol).

ROMPOX®-2K MULTI SEAL can be used for airless spray



APPLICATION

Preparation: Before application the surface should be cleaned of all soiling and then ground. Then use an industrial vacuum cleaner to vacuum. Old coatings need to be ground. Damp surfaces can be coated, but must have no standing water. Adjacent surfaces that are not being sealed must be taped off. **IMPORTANT:** In case of highly porous surfaces, or magnesite and anhydrite surfaces, priming must be done twice using ROMPOX®-2K MULTI SEAL, in order to achieve the best surface.

Priming of surface on first day (Consumption approx. $0,25\text{ kg/m}^2$ | $0,55\text{ lb}/10\text{ sqft}$ + 10% water)

Mixing: Pour component B completely into component A and mix for 3 minutes. Then add 10% water and mix for a further 2 minutes. After mixing, pour into a clean container and stir again.

Application: Distribute material immediately over the surface by flooding with a one lip rubber squeegee or use a fur roller to distribute evenly. Then use a fur roller to roll again crosswise.

Sealing the surface on second day (Consumption approx. $0,3\text{ kg/m}^2$ | $0,66\text{ lb}/10\text{ sqft}$)

Mixing: Pour component B completely into component A and mix for 3 minutes. Prevent air from being mixed in by using a slow rotating mixer. After mixing, pour into a clean container and stir again.

Application: Distribute material over the surface by flooding with a one lip rubber squeegee or use a fur roller to distribute evenly. Then use a fur roller to roll again crosswise.

Subsequent treatment: After application, ventilate the surface well, in order to ensure the best possible drying of the fresh primer / sealant. Open windows if necessary in order to prevent air standing air for long periods. Do not leave doors opened over the freshly sealed surface, if required, remove doors temporarily. Sealed surfaces outdoors should be protected against rain for approx. 24 hours. Use rain protection (construction sheet / plastic cover) but do not allow directly on the surface, ensure air can circulate.

Important instructions: Insufficient ventilation can lead to differences in degree of shine and colour. On magnesite and anhydrite screeds as well as surfaces with heavier loads, then two layers of sealant are applied. Material mixed the previous day cannot be used the following day.

Application data:

Application time:	40 minutes at + 23°C 73,4°F ambient temperature
Minimum hardening temperature:	+ 10°C 50°F floor temperature
Application temperature:	15 - 25°C 59 - 77°F air temperature
at low temperatures:	< 15°C < 59°F hardening 24 hours or longer
Re-opening of surface at 23°C 73,4°F:	can be walked on after approx. 24 hours / re-opening after 7 days
Re-application at 23°C 73,4°F:	after approx. 12 - 24 hours
Pot time at 23°C 73,4°F:	can be applied within 1 hour after mixing. With airless spray method, the pot time shortens to 25 minutes due to spray pressure.

Storage:

12 months, frostfree, dry

Consumption:

Primer: approx. $0,25\text{ kg/m}^2$ | $0,55\text{ lb}/10\text{ sqft}$ + 10% water

Sealant: approx. $0,3\text{ kg/m}^2$ | $0,66\text{ lb}/10\text{ sqft}$

⇒ 6 kg | 6,6 lb sufficient for up to 22 m² | 236 sqft per layer with one layer of paint

⇒ 15 kg | 16,5 lb sufficient for up to 55 m² | 592 sqft per layer with one layer of paint

Info: Primer and sealant are separate layers. The correct order is: 2 x 15 kg | 33 lb for up to 55 m² | 592 sqft surface. A 6 kg | 6,6 lb container (2 x 3 kg | 0,55 lb / 10 sqft) sufficient for a surface of up to 11 m² | 118 sqft with 2 layers (primer and sealant).



Pour



3 mins. of mixing



Re-pot



mins. of mixing



Kreuzgang

priming



sealing

ROMPOX[®]-2K MULTI SEAL



ROMEX[®] PFM GmbH
Von-Bassenheim-Straße 2
53881 Euskirchen
Tel.: +49 22 51 / 94 12 20
Fax: +49 22 51 / 94 12 28
E-Mail: info@romex-pfm.de
Internet: www.romex-pfm.de



Made in Germany

ROMEX[®] is member:



Your contact: